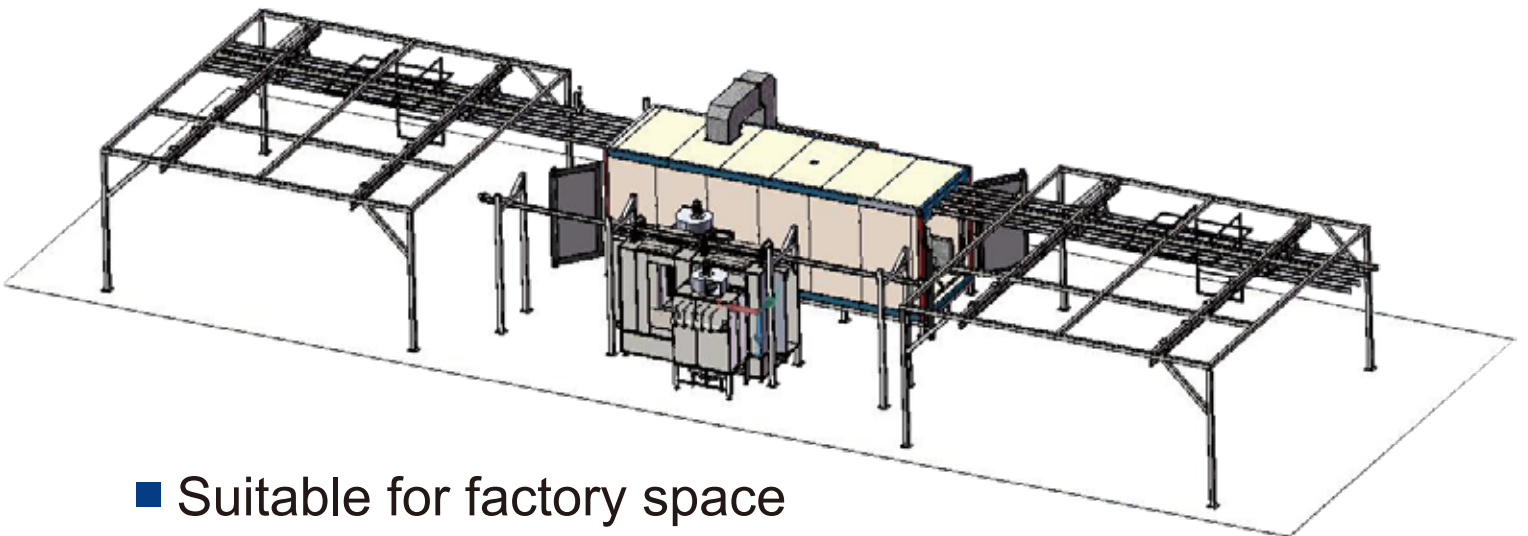
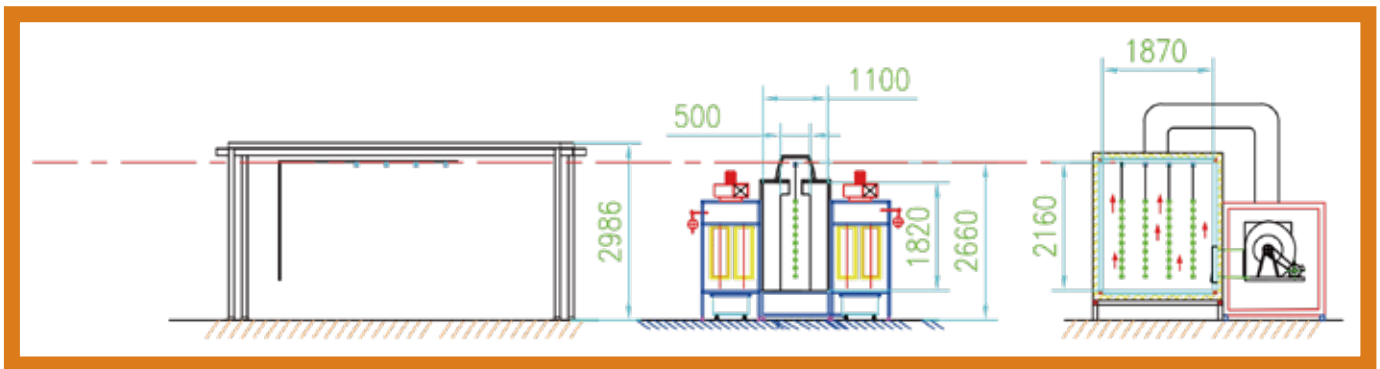
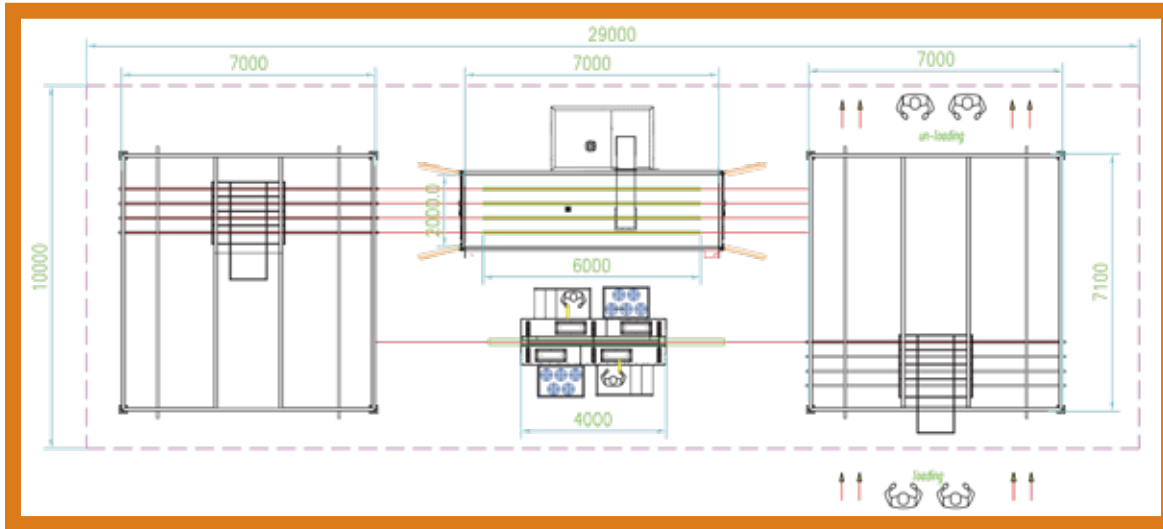




**CUSTOMER
FEEDBACK
COLLECTION**

Batch Powder Coating Line



- Suitable for factory space
size more than: L29000*W10000*H5000mm
- For workpiece less than Width:700mm
- Height: 1.5m
- Length : 6m



**CUSTOMER
PROVIDED
PHOTOS**

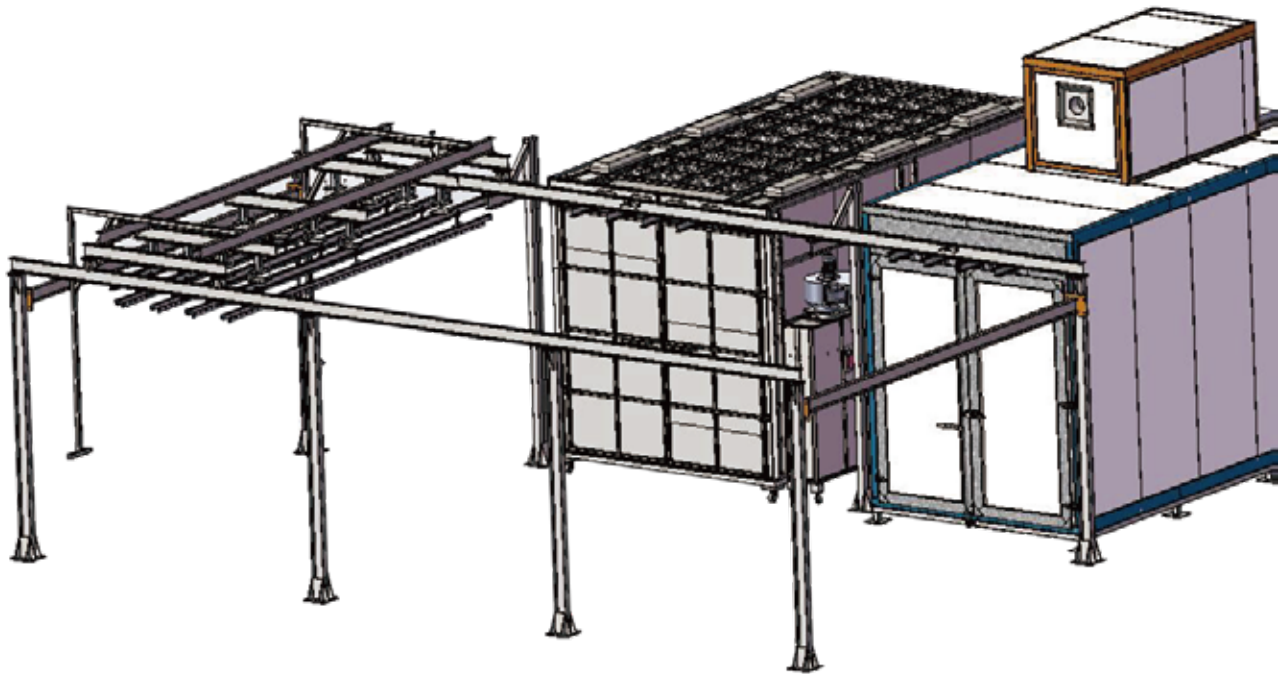
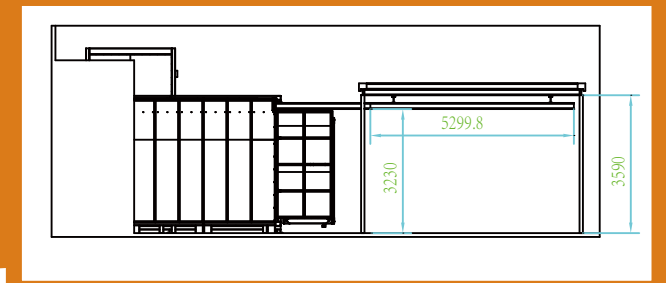
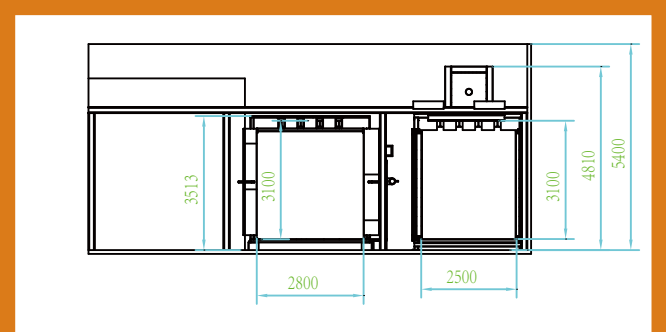
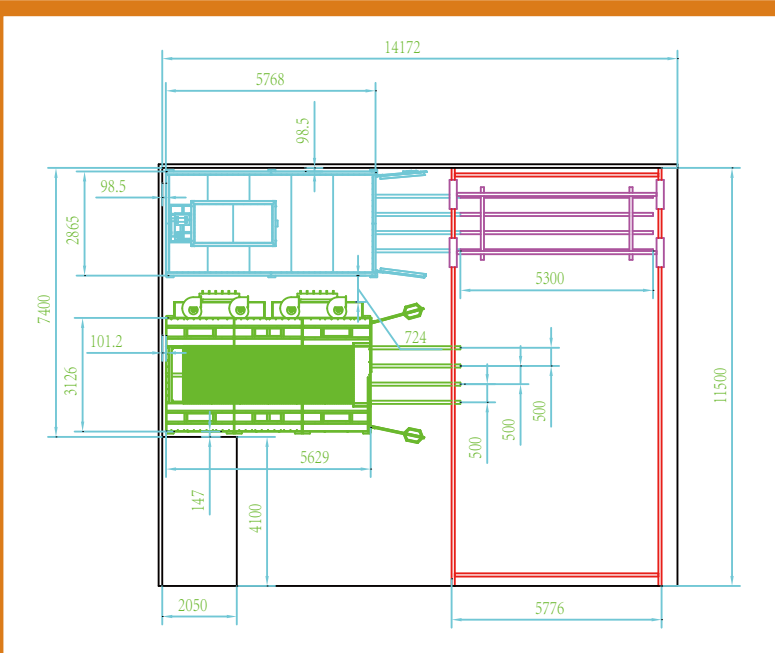




Application



Batch powder coating plant for client



- Suitable for factory space size more than: 7400*14200mm
- For workpiece less than Width: 2000mm
- Height: 1800mm
- Length: 5000mm



Brett, 7:17

Good morning Isabella, I just wanted to thank you for all your help during the process of getting the powder coating plant up and running. I'm sorry I have used so much of your time with questions, I just didn't want my managers to have any issues or waste their money. The plant is now working and we have produced our first few loads of production with great results. Thank you for your patience.



I forgot to ask also. Does Colo produce cleaning tanks for pretreatment?



Brett, 9:27

We were very impressed with your service and the finished product. Our oven traces show only 2-3 degrees heat variance over the entire oven during heat up which is amazing



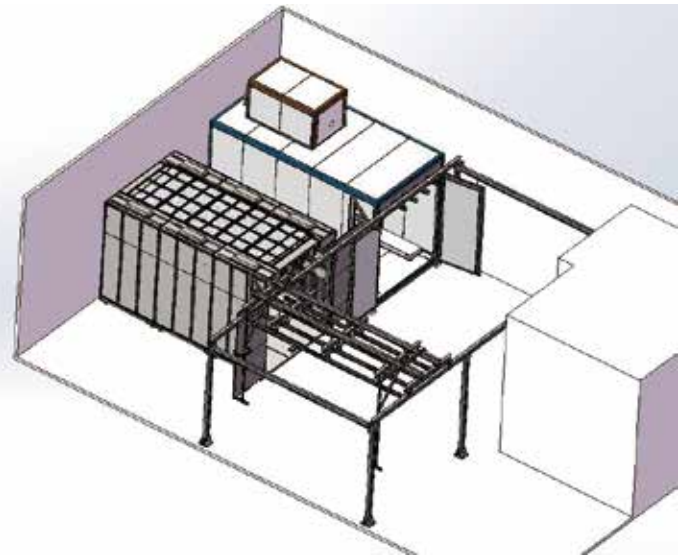
- ① Customer's workpieces before powder coating



- ② After powder coating, come out from the powder spray booth



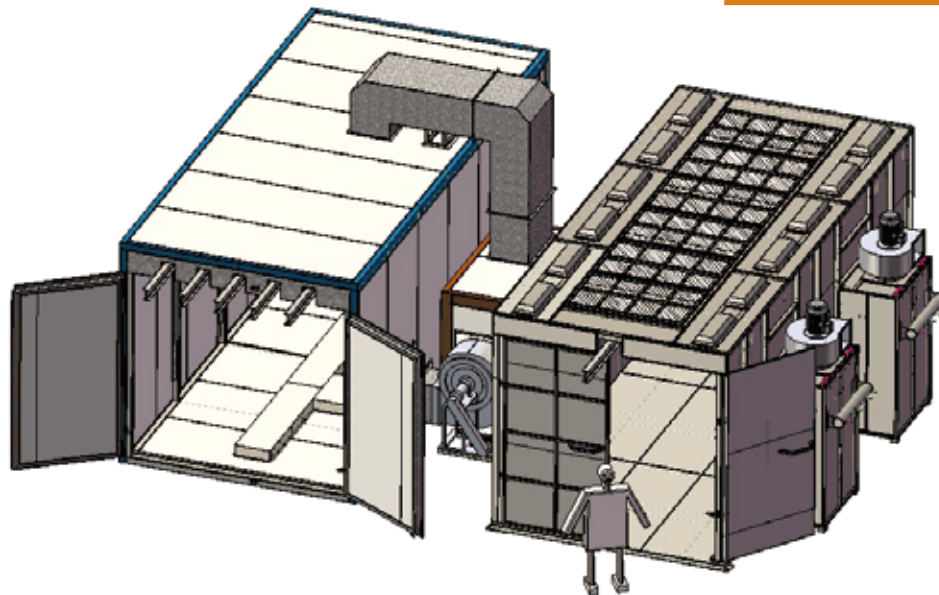
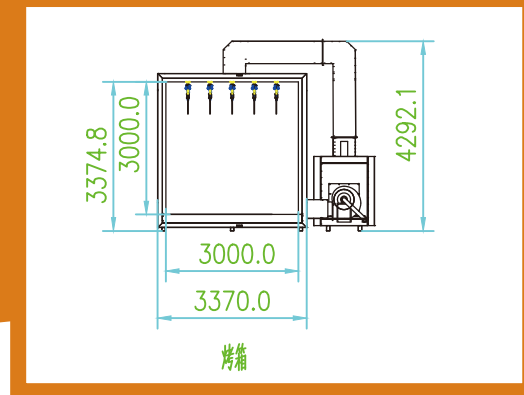
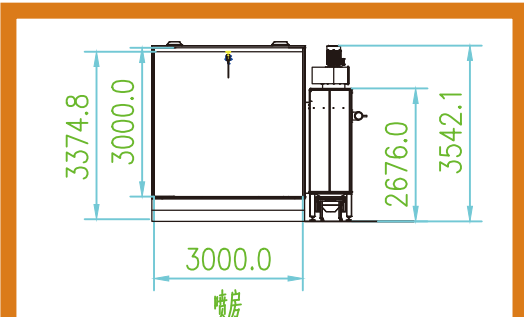
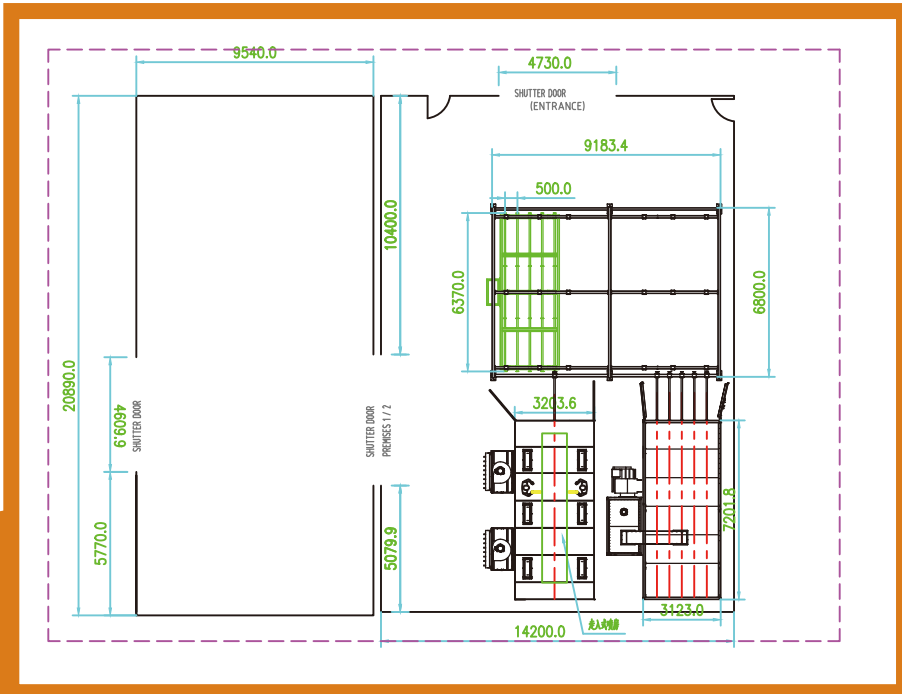
- ③ After curing, come out from the oven



Finished drawing of powder spraying on other parts of the customer



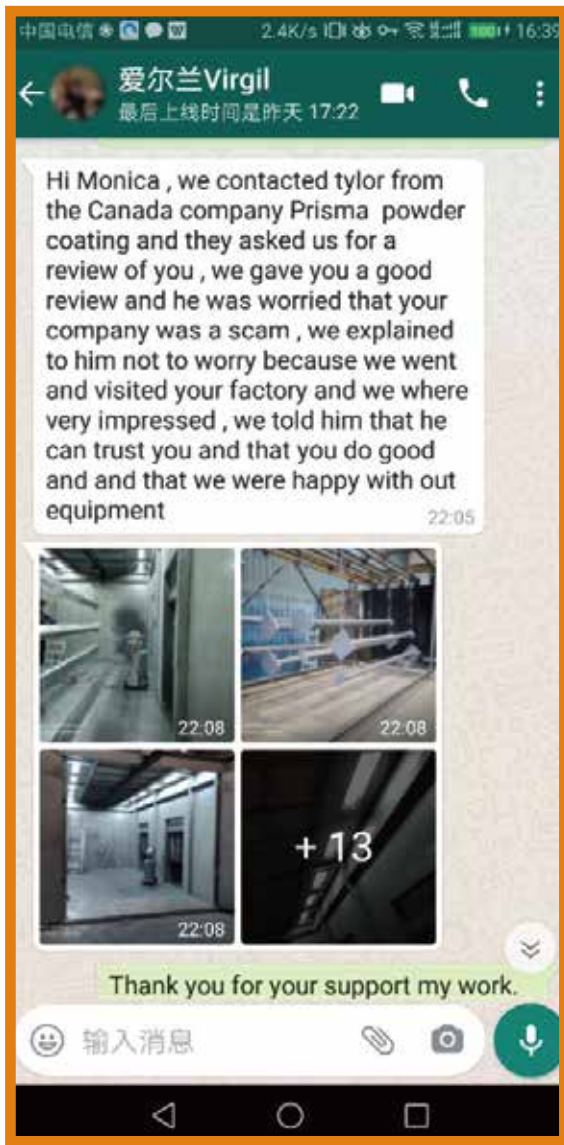
Walk in Powder Coating Plant For Heavy Part



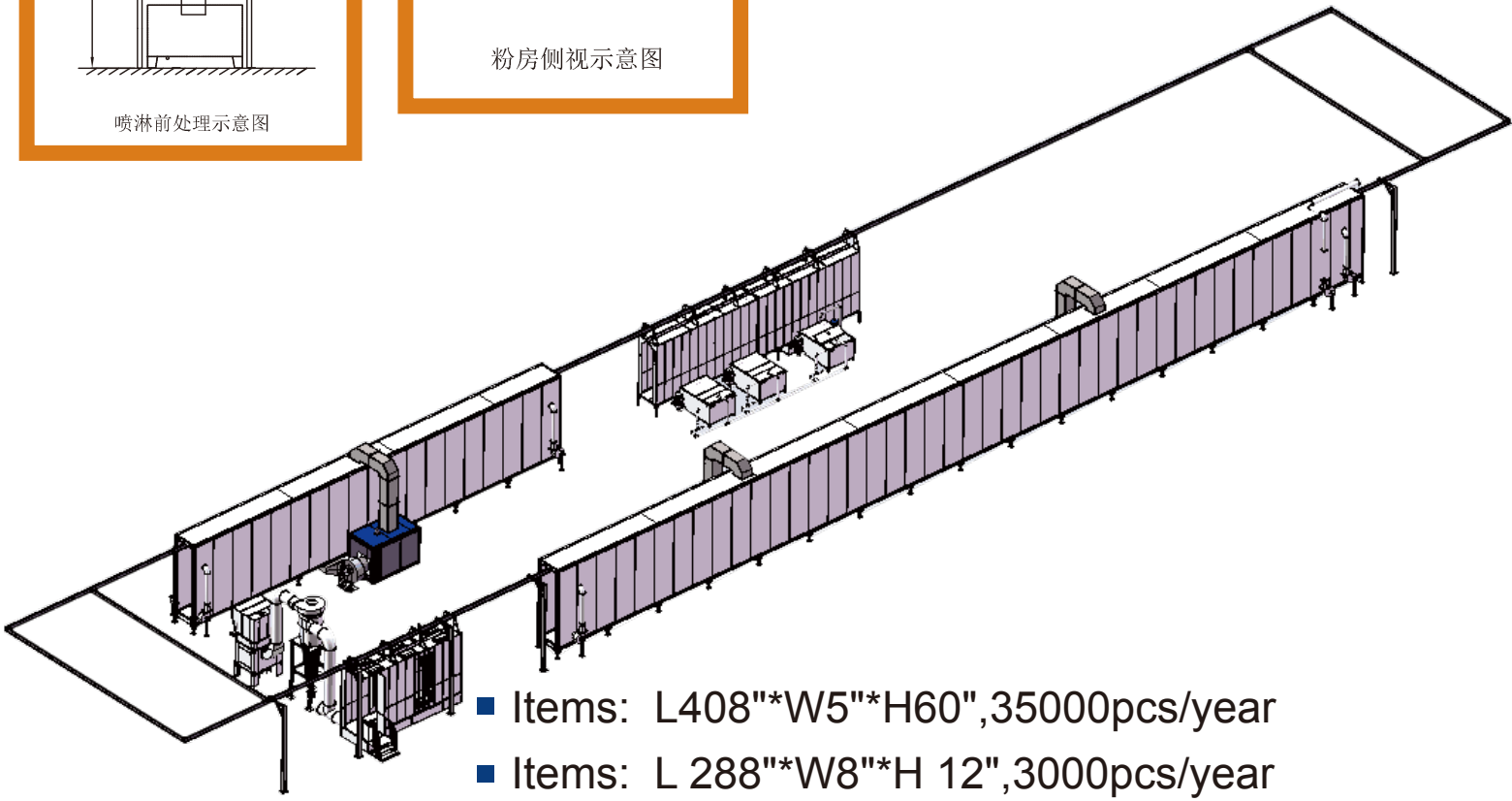
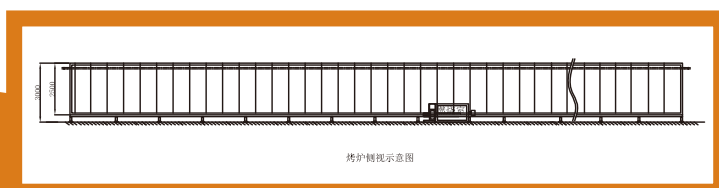
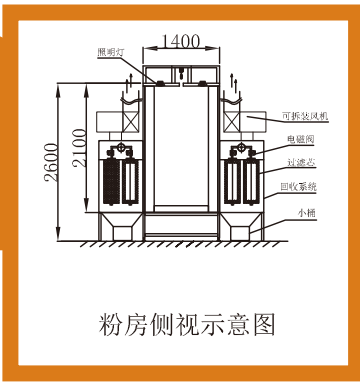
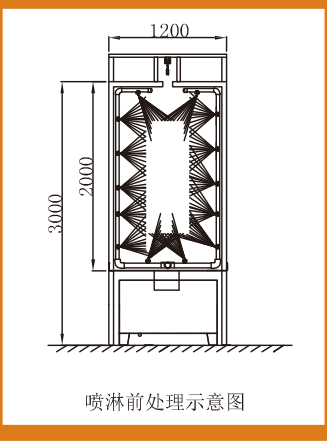
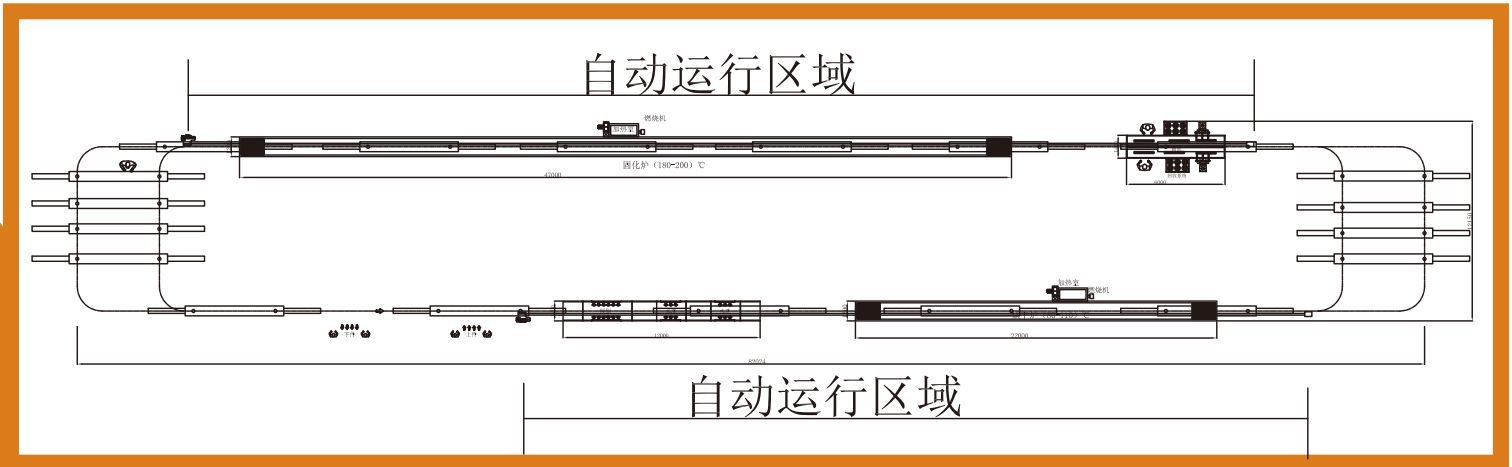
- Suitable for factory space size more than: 21000*14200mm
- For workpiece less than Width: 2800mm
- Height: 2800mm
- Length: 6000mm



Application

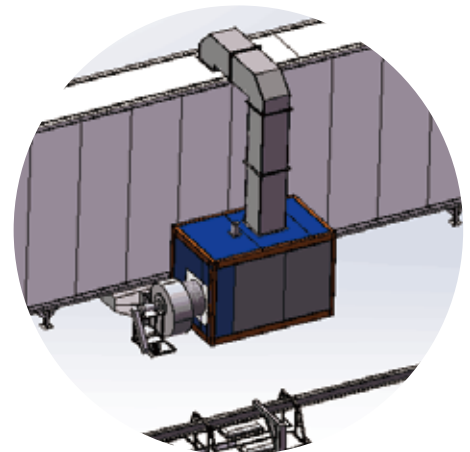
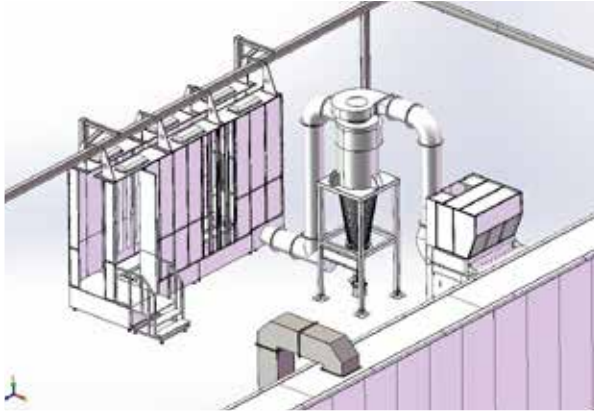


Powder Coating Plant for pallet rack



- Items: L408"*W5"*H60",35000pcs/year
- Items: L 288"*W8"*H 12",3000pcs/year
- Workshop Area: 85000×36000×5400mm (L×W×H)

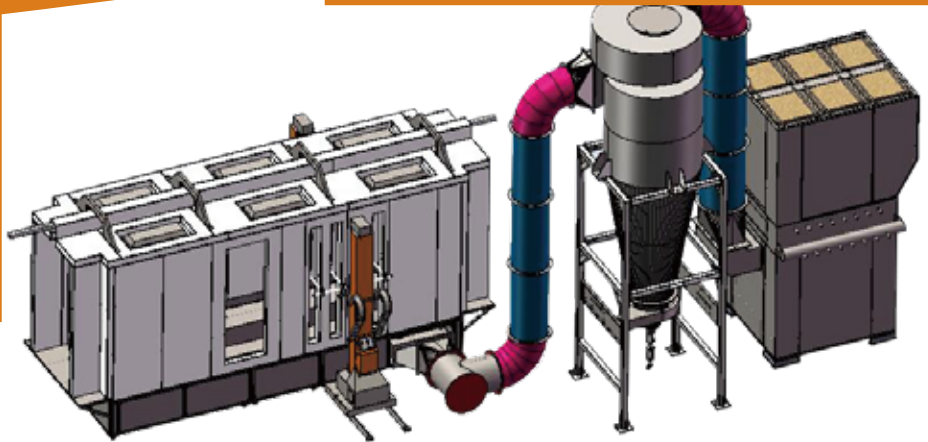
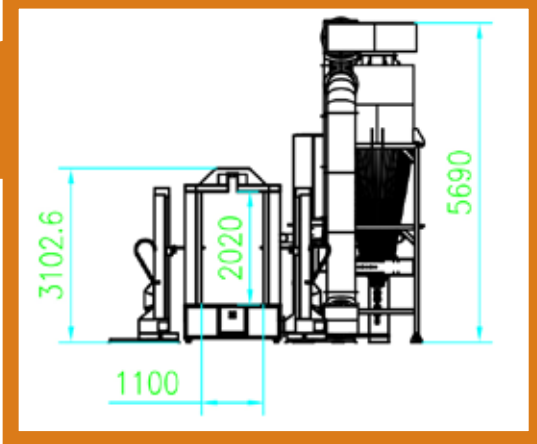
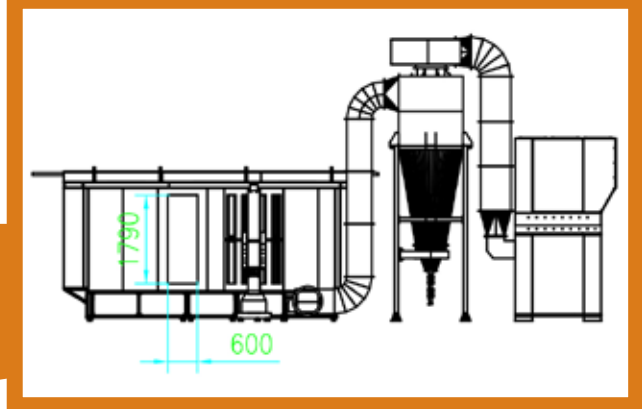
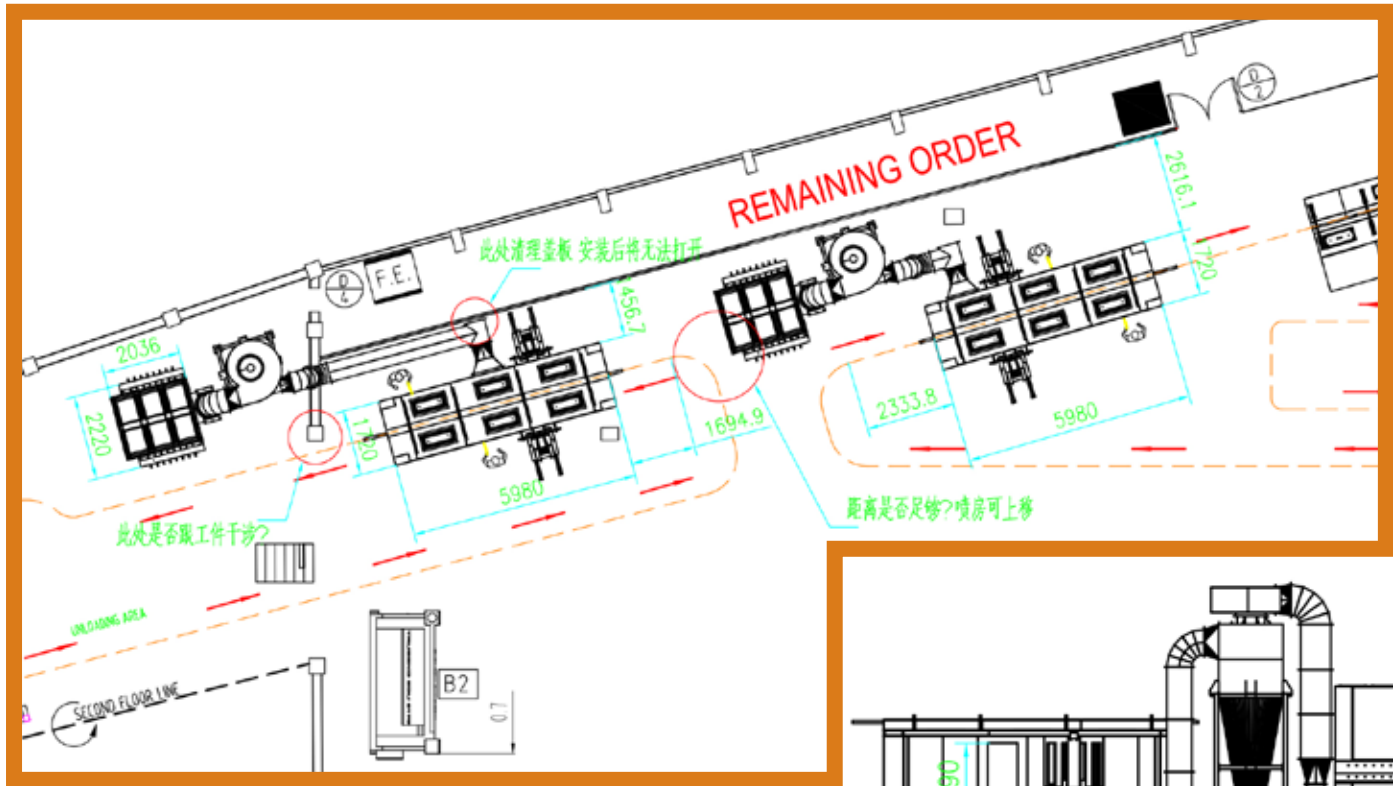
Customer provided photos



Application



PP auto booth with MONO-cyclone recovery



- Suitable for factory space size more than: 10701*5844*H6500mm
- For workpiece less than width: 800mm
- Height: 1500mm
- Length: any length will be ok

Mono-Cyclone Powder Coating Booth

Automatic Reciprocator

Plastic Powder Coating Booth




**DETAIL
PHOTO**



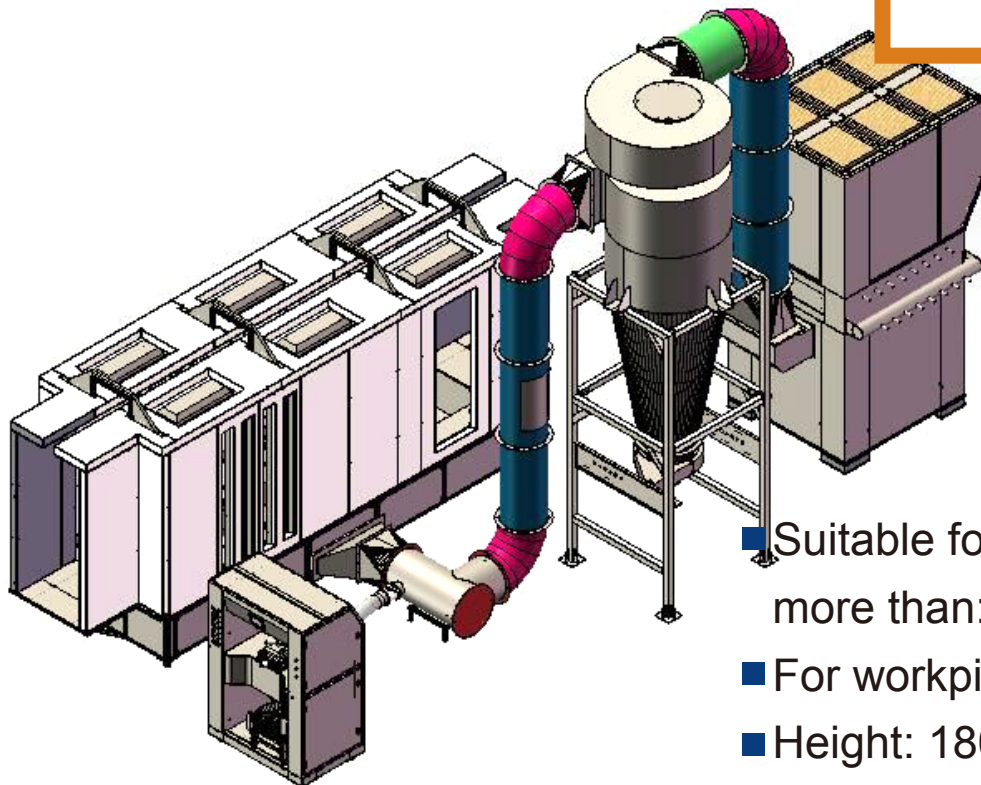
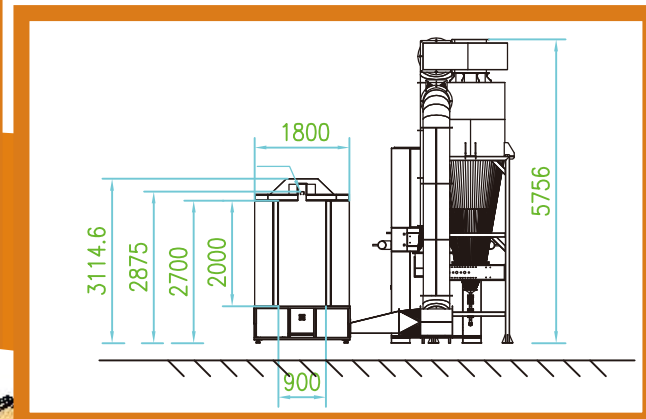
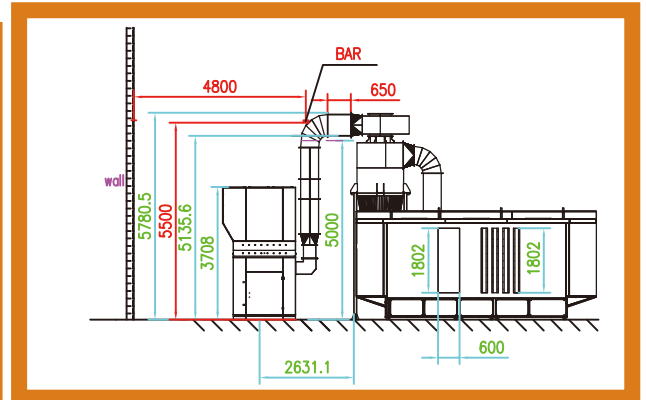
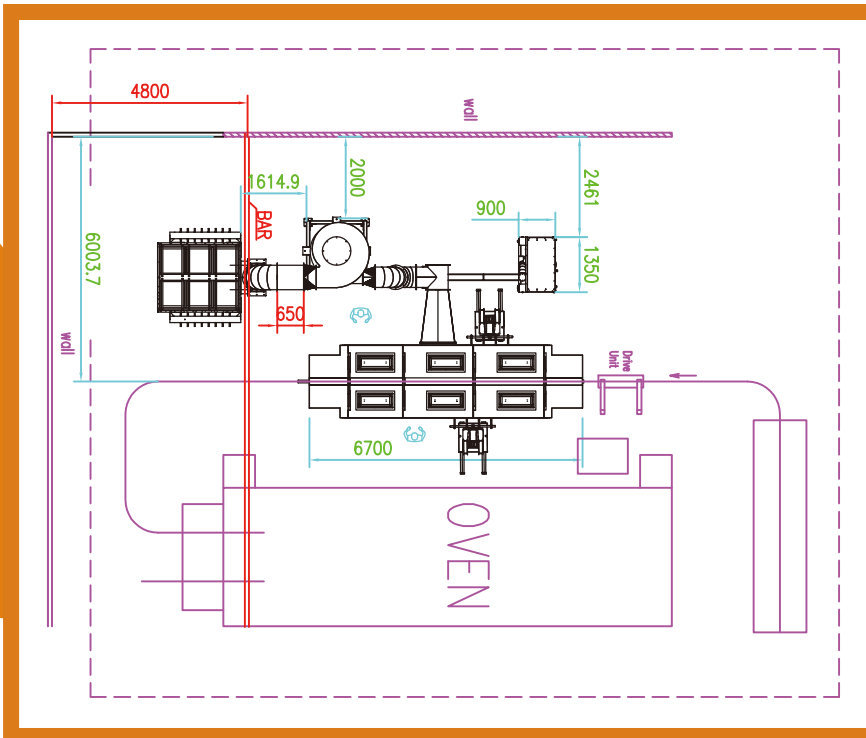
Application

how are these booth working, please?

All booth is working now even there is lacking parts. Mono cyclone  we are satisfied



Monocyclone installed in Macedonia for cabinet

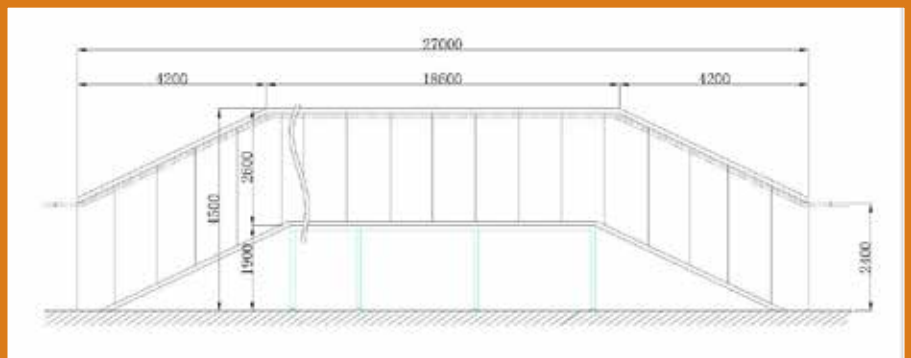
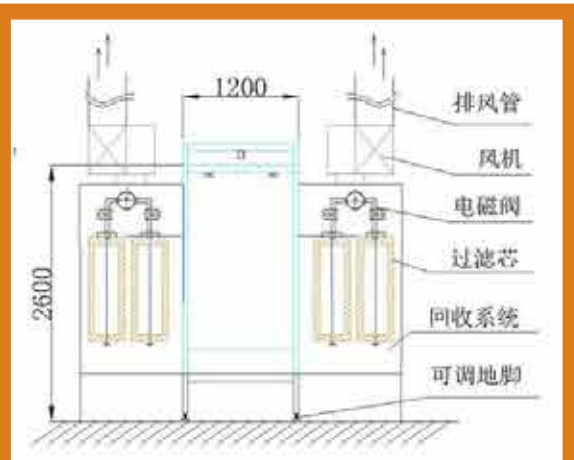


- Suitable for factory space size more than: 6700*8600mm
- For workpiece less than Width:700mm
- Height: 1800mm
- Length : any length will be ok

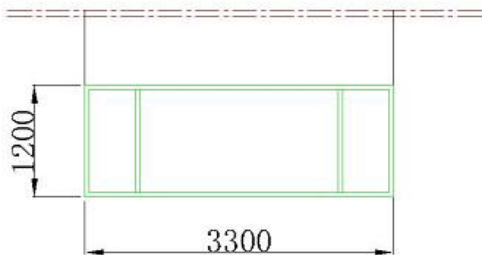


After the spray booth installing, the local government praised this project.

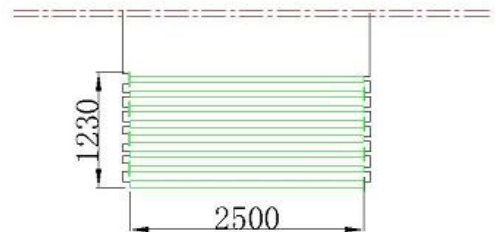
Automatic powder coating plant installed in Russia for fence



- Suitable for factory space size more than : L35000*W7000*H5500mm ,
- for workpiece less than Width:1000mm, Height: 1500mm, Length :3300mm
Line speed: 1.2m/min



Note: The daily output is 120 pieces/day (8 hours) in the case of spraying a single workpiece



Note: The daily output is 200 pieces/hour in the case of spraying a single workpiece



**Customer
provided photos**

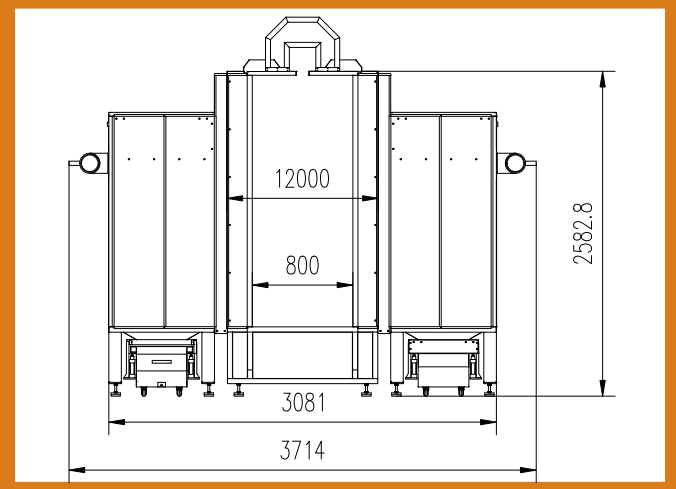
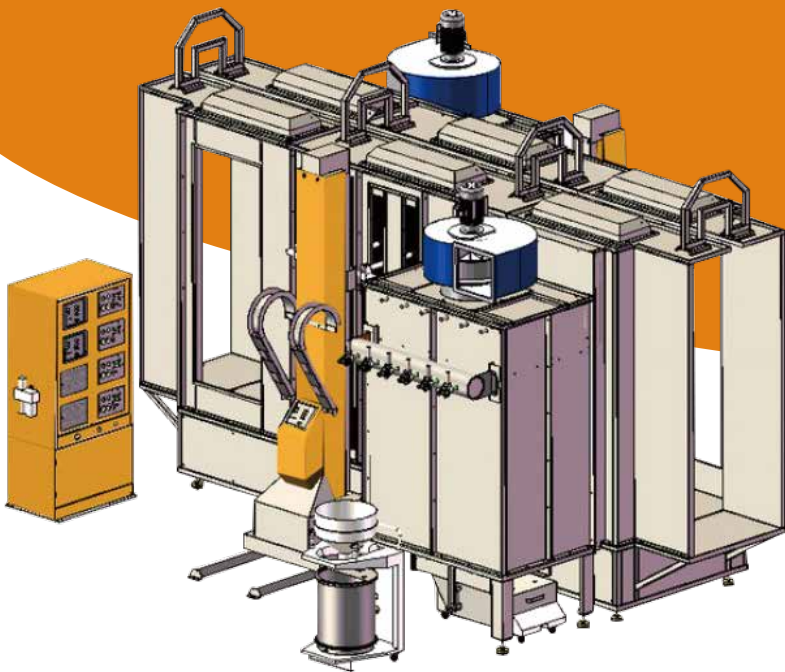
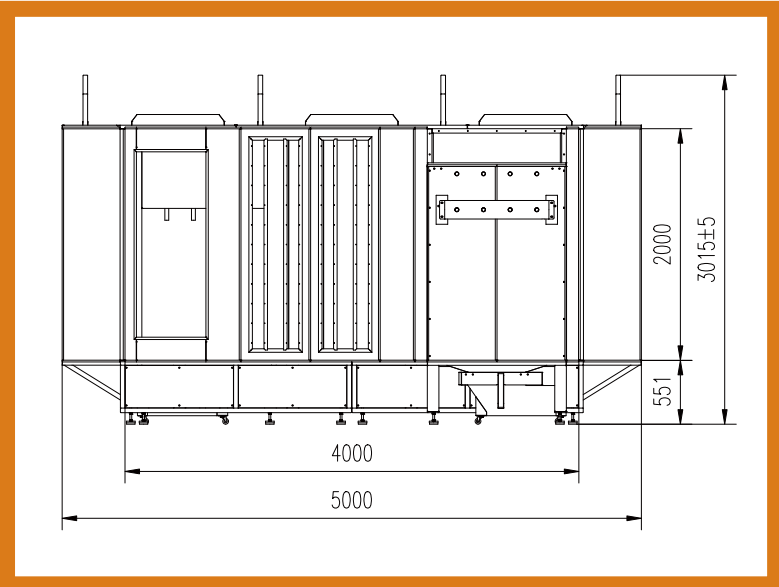
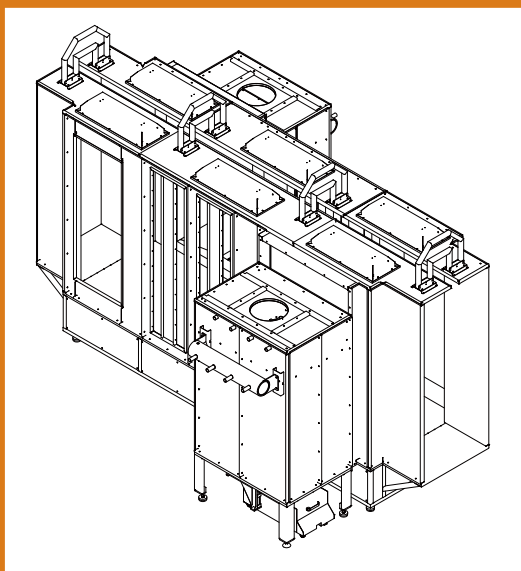




Customer production product effect



Automatic powder coating booth



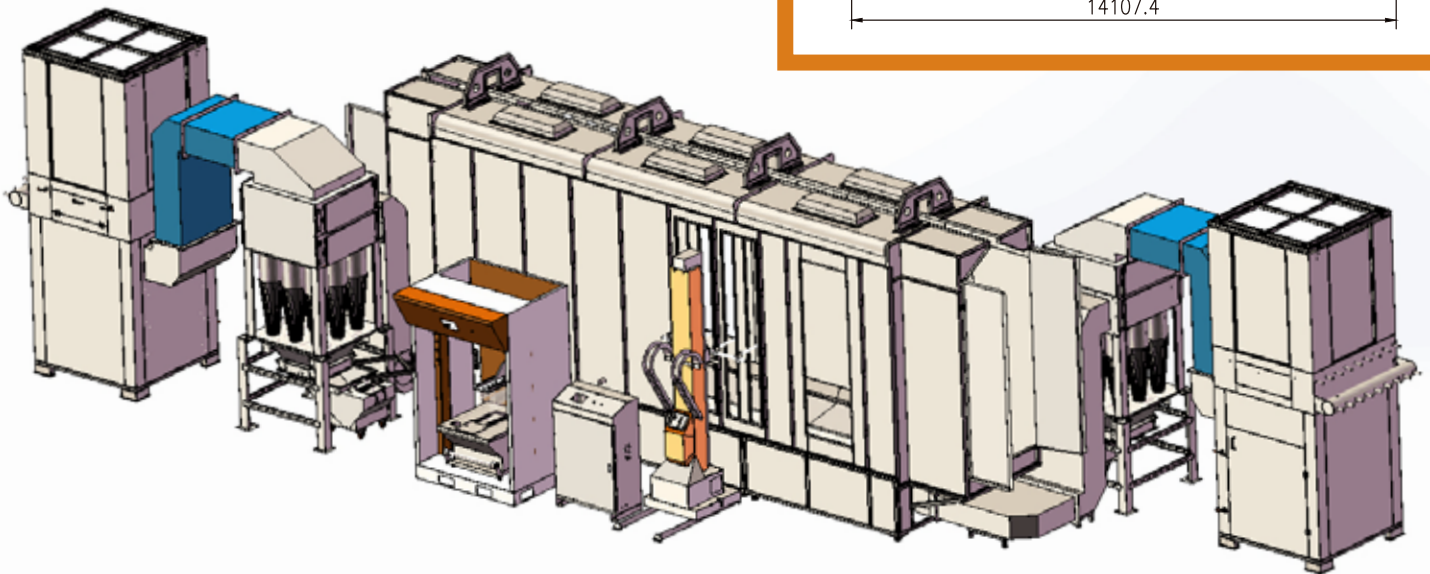
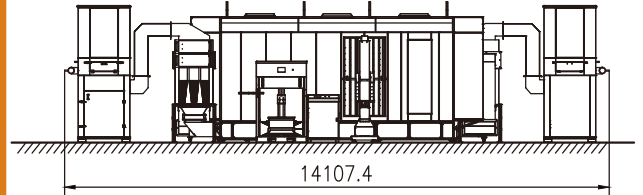
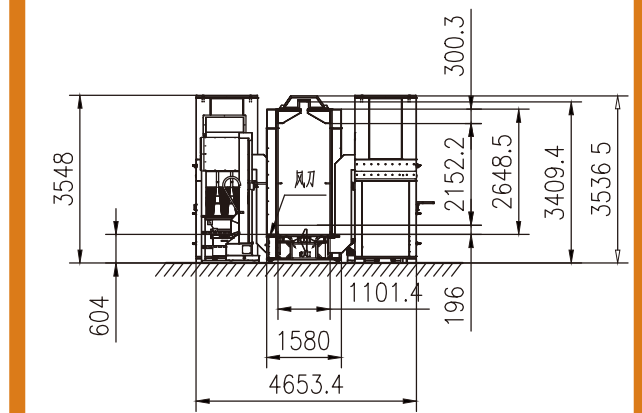
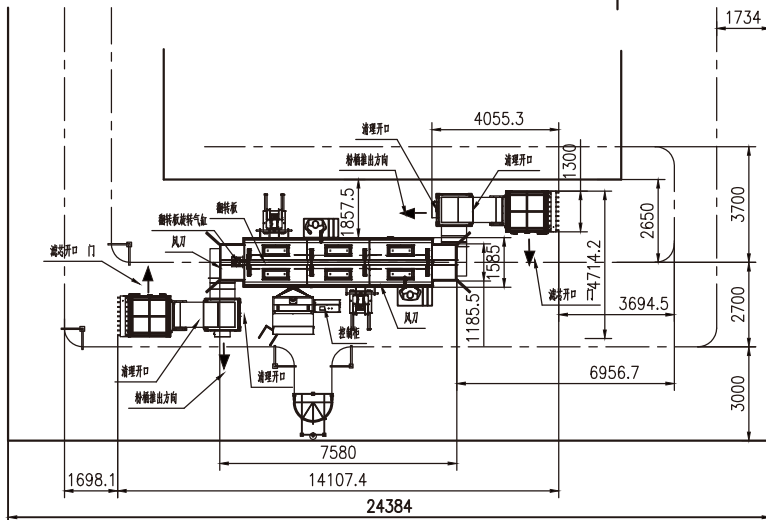
- Suitable for factory space size more than: 6700*8600mm
- For workpiece less than Width:700mm
- Height: 1800mm
- Length : any length will be ok



Customer provided photos



Multi-cyclone Powder coating booth for chairs



- Booth interior size:L7.5*W1.5*H2.65m, gate size:W1.1*H2.15m
- Multi-cyclone powder recovery systems for fast color changes,suitable for not over than 5meter high factory space
- Ideal for painting furniture like chairs etc

Ideal for fast color changes, factory height is not very high



Customer provided photos



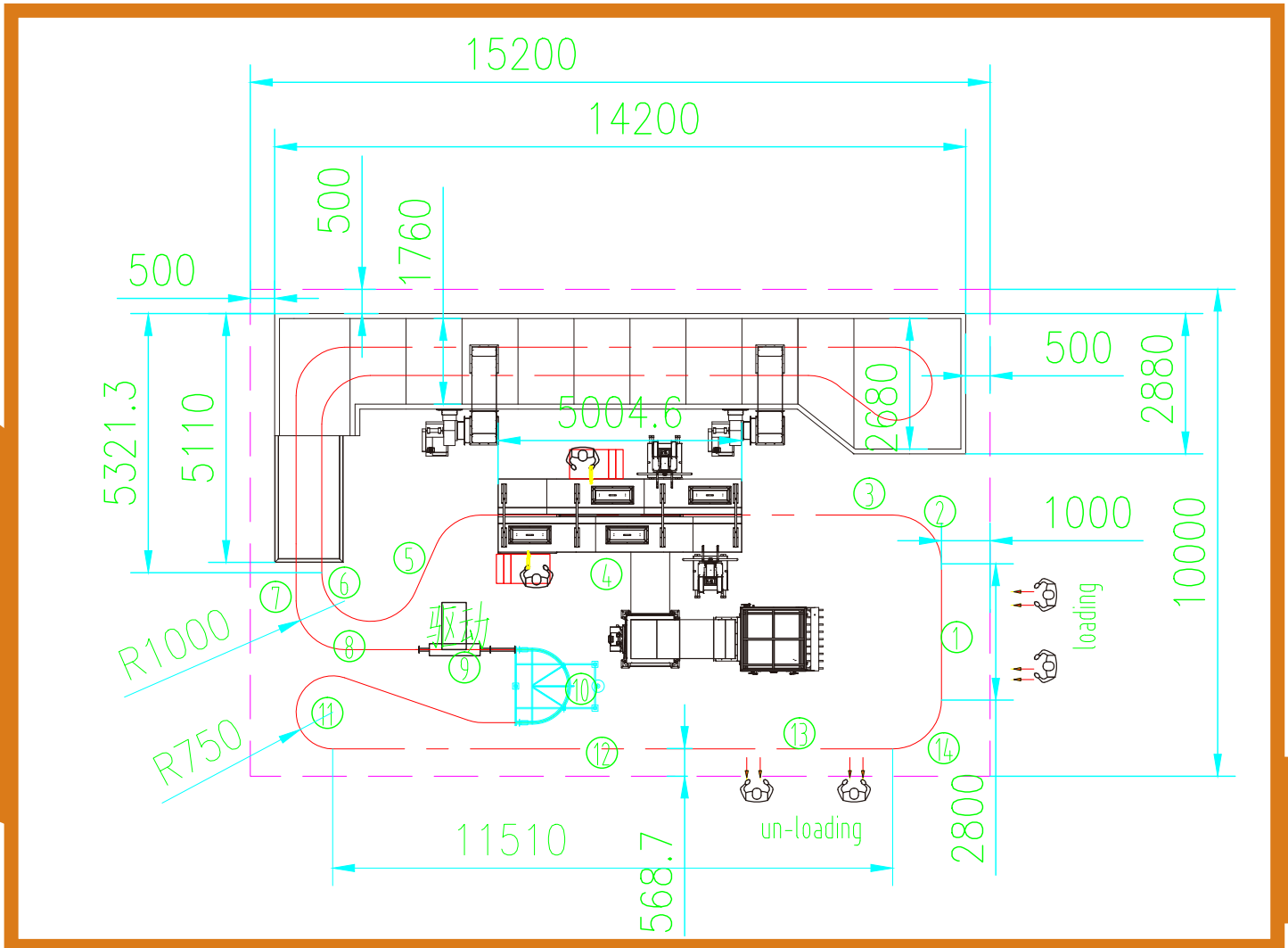


Application

**Hang 3
chairs
together**

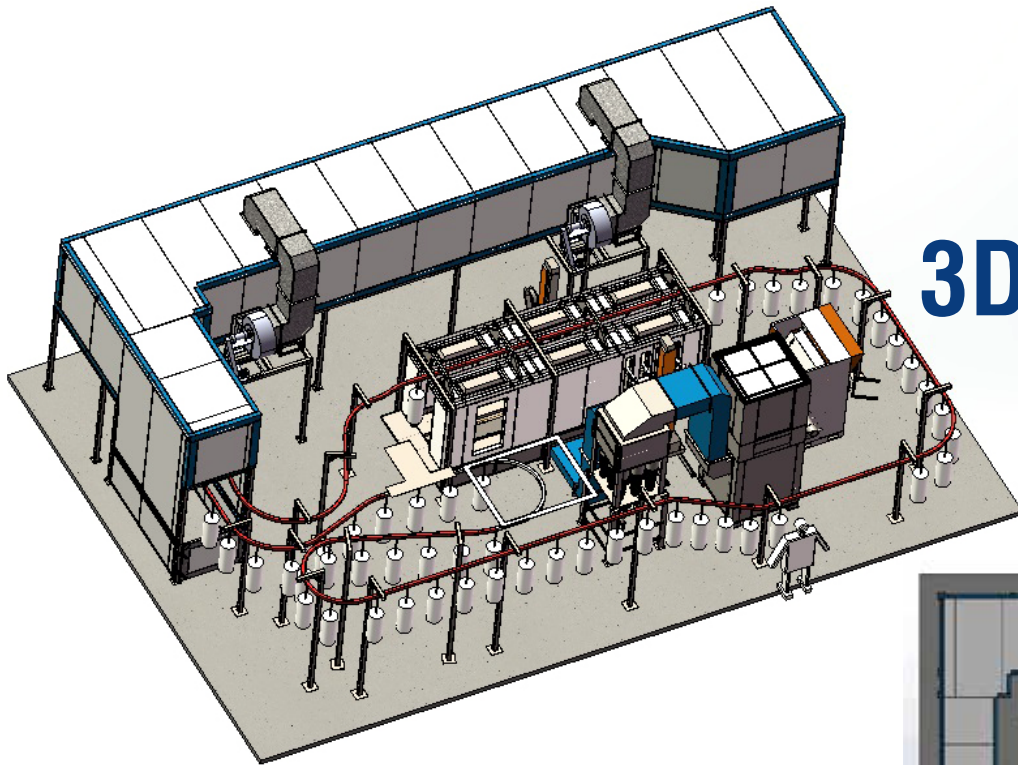
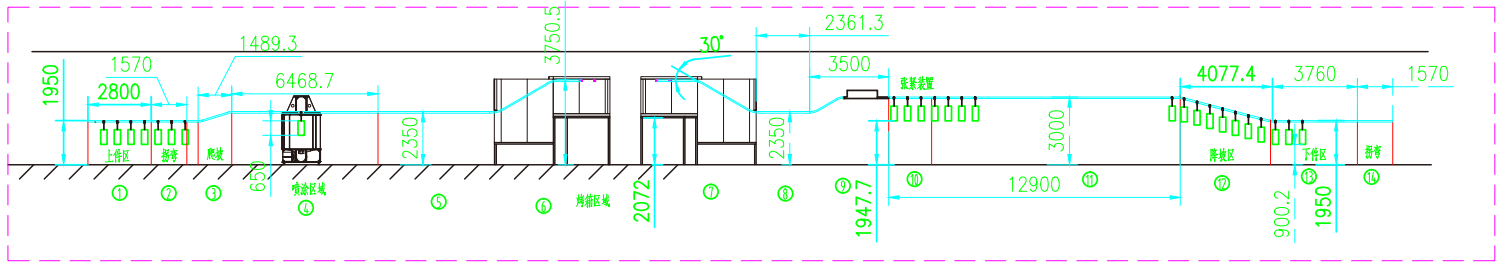


The assembly line of spraying spring

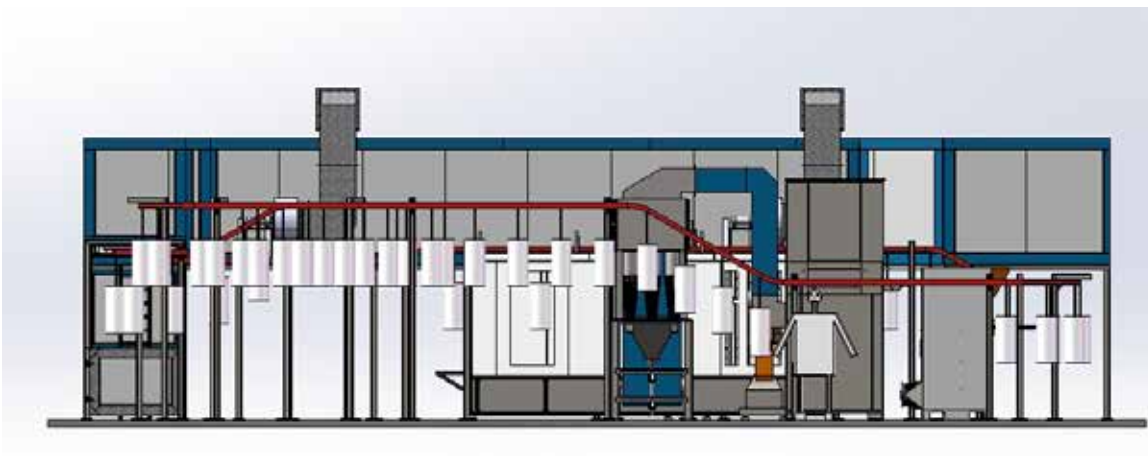
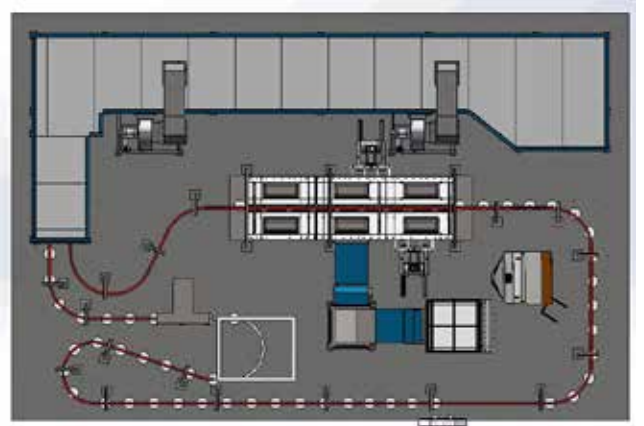


Quick Color Change Anti-Static Plastic Booth

- inner size:4000 Lx W1280 x H1500mm, workpieces opening: W680xH1500mm
- With air knife and Flap Recovery system: with multi-cyclone,
- with Filter recovery system,(filter 325x600mm 18pcs)
- with 1200mm high quality rotary wing 9pcs
- with Fan motor 1pc Power 11Kw,
- air flow 7000m³/h
- With PLC touch screen control.
- Note:Not including the conveyor system. 415V three phase, 50Hz



3D stereogram



The assembly line of spraying spring



Customer artifact diagram

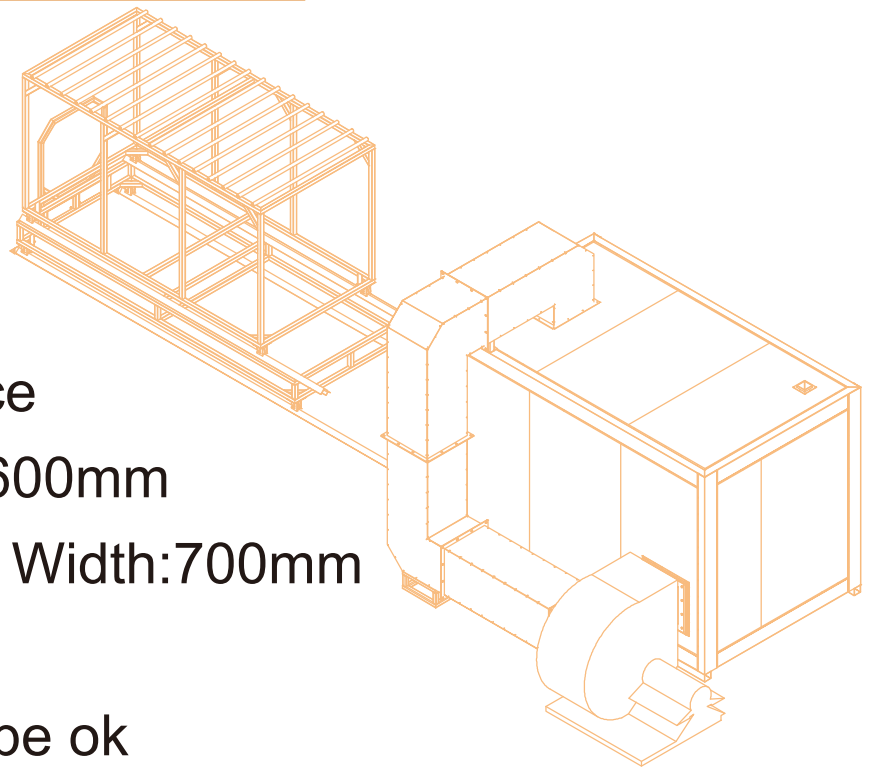
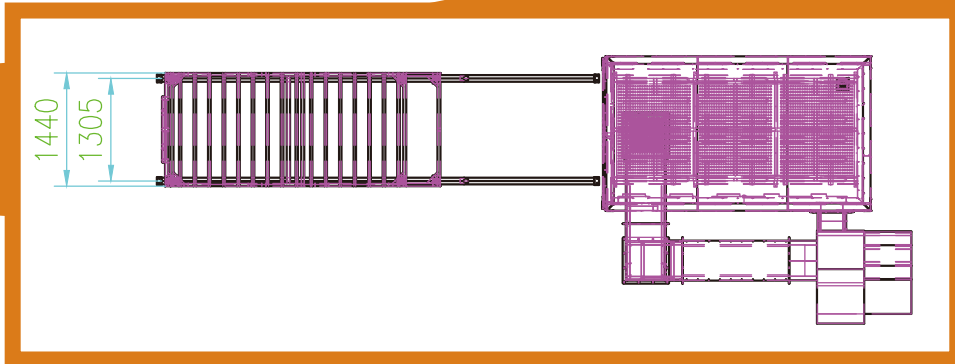
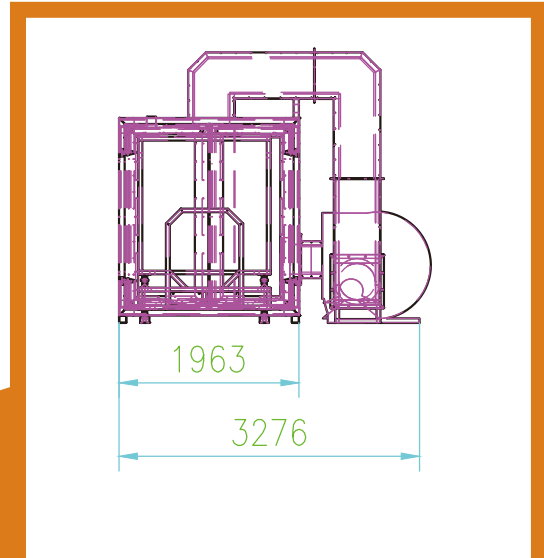
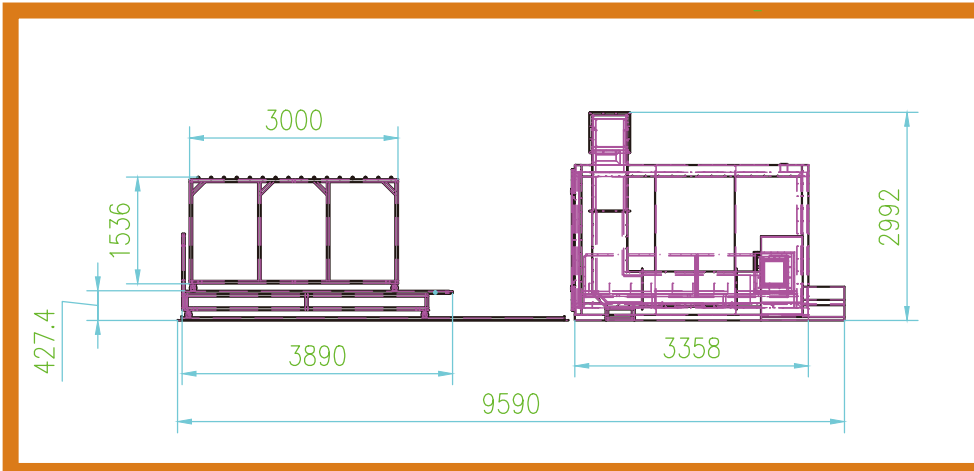


Powder feed center

191S Automatic powder coating machine



Multi-cyclone Powder Coating Booth



- Suitable for factory space size more than: 6700*8600mm
- For workpiece less than Width:700mm
- Height: 1800mm
- Length : any length will be ok



**Customer
provided
photos**



Application





CUSTOMER VISIT

CONTACT US

Hangzhou Color Powder Coating Equipment Co., Ltd

Hangzhou Kafan Machinery & Equipment Co., Ltd

Telephone: (86)153 7200 4089

Mobile: 0086 15372004089

Fax: (86) 571-85335616

Address: Building 34 No536,Shunfeng Road

Tangqi Town.Yuhang District Hangzhou China.

Zip code: 311106

Website: www.powder-gun.com